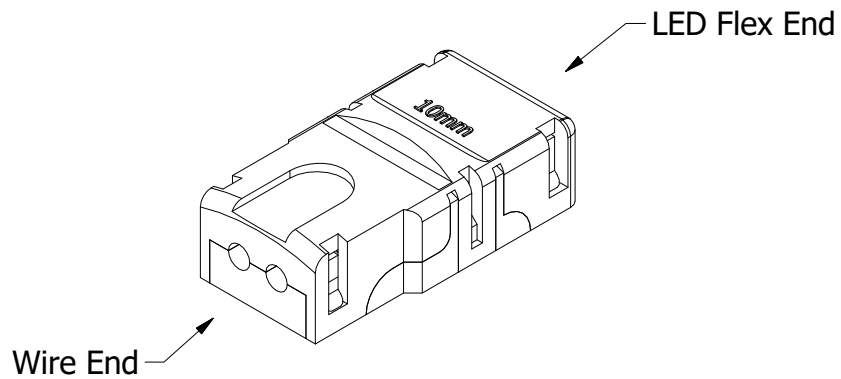
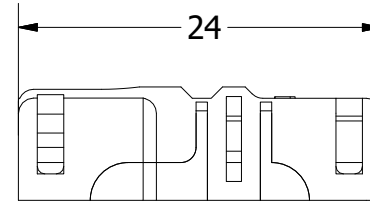


contact x 2



DRAWN Razvan	22/03/2017	LED FLEX	
CHECKED			
QA		TITLE	
MFG		FLEXLINK V2 8mm 2-C	
APPROVED		DWG NO	REV
17 Greenwich Business Park, London, SE10 9QF	0845 862 9001 0203 137 7305	SCALE 2:1	SHEET 1 OF 1